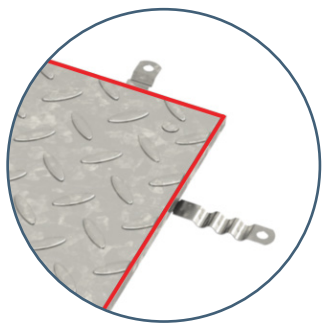
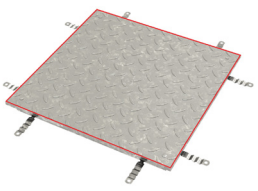


Installation manual

ACO Access Covers

SOLID

- | | | | |
|------------|--|------------|--|
| ENG | Installation Manual
ACO Access Cover | EST | Paigaldusjuhend |
| GER | Installationsanleitung
ACO Schachtabdeckungen | LAV | Uzstādīšanas instrukcija
ACO Tehnisko lūku vāki |
| FRA | Instructions d´installation | LIT | Montavimo instrukcija
ACO apžiūros liukai |
| ESP | Manual De Instalación
ACO Tapas de registro | POL | Instrukcja montażu |
| POR | Manual de Instalação | BUL | Инструкции за инсталация |
| ITA | Manuale d´installazione
ACO Access Cover | HUN | Beépítési útmutató |
| NLD | Installatiehandleiding
ACO Toegangsluiken | RUM | Instructiuni de instalare |
| CZE | Instalační manuál | HRV | Upute za ugradnju |
| RUS | Инструкция По Установке | SLV | Navodila za vgradnjo |
| SWE | Installationsanvisning | SRP | Preporuka za ugradnju |
| NOR | Installasjons Manual | TUR | ACO Müdahale Kapakları |
| FIN | Asennusohje | | |
| DAN | Installationsvejledning | | |



ACO Access Covers SOLID GS/SS

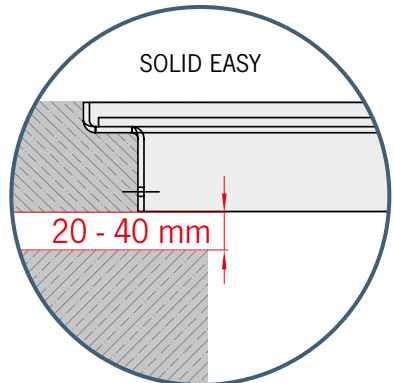
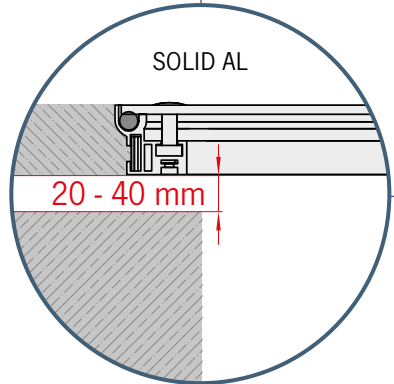
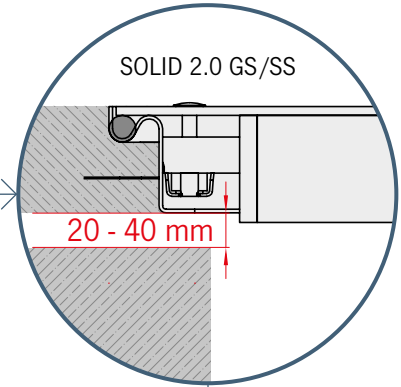
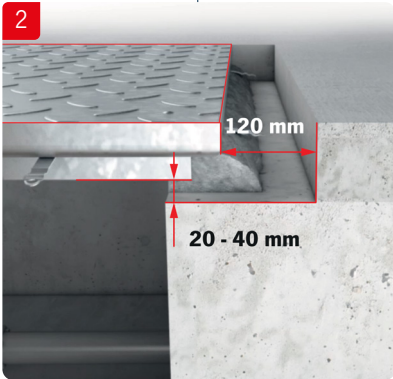
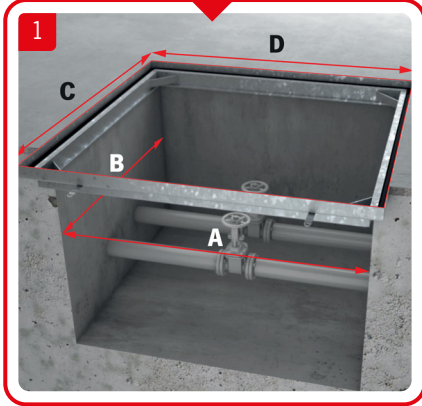
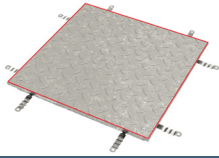
Order information

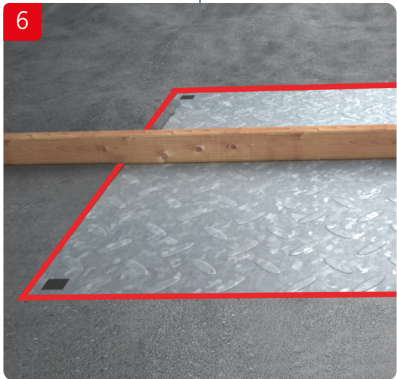
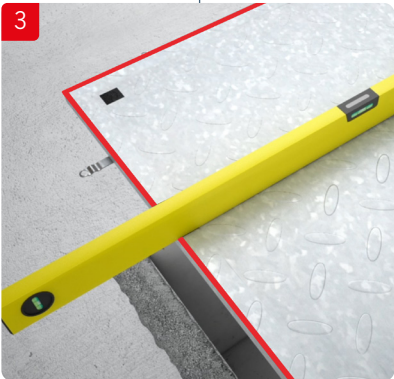
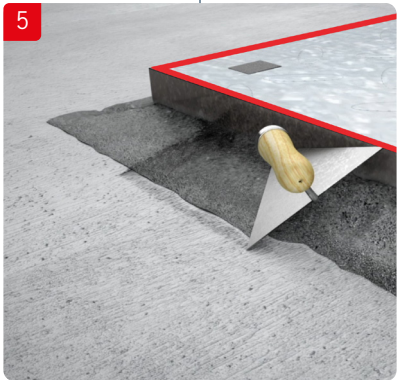
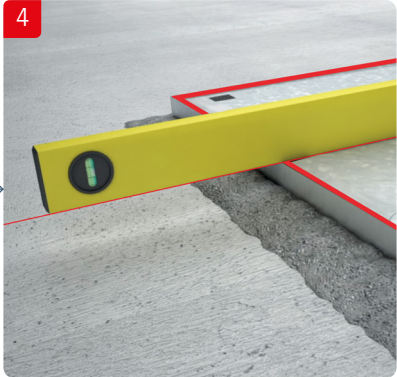
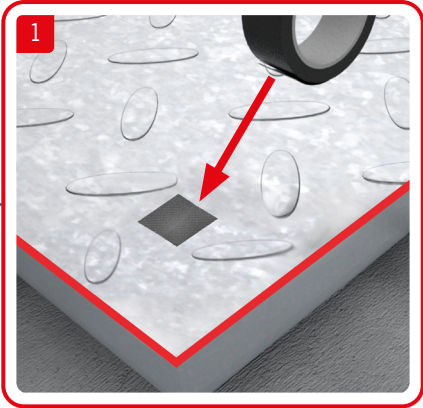
Clear opening (A x B)	External dimensions (C x D)	Frame height	Load class (EN 124)	Weight	Part No.	Part No.
[mm]	[mm]	[mm]		[kg]	GS	SS
300 x 300	396 x 396	59,5	A15	11,2	403868	403860
400 x 600	496 x 696	59,5	A15	20,6	403871	403863
450 x 450	546 x 546	59,5	A15	18,7	403869	403861
500 x 500	596 x 596	59,5	A15	20,8	403870	403862
600 x 600	696 x 696	59,5	A15	26,9	403912	403909
600 x 800	696 x 896	59,5	A15	36,1	403873	403865
600 x 1000	696 x 1096	59,5	A15	42,8	403874	403866
635 x 635	731 x 731	59,5	A15	32	403872	403864
800 x 800	896 x 896	59,5	A15	44,3	403913	403910
800 x 1000	896 x 1096	59,5	A15	52,8	403875	403867
1000 x 1000	1096 x 1096	59,5	A15	62,4	403914	403911
300 x 300	396 x 396	59,5	B125	14,9	403898	403887
400 x 600	496 x 696	59,5	B125	28,2	403901	403890
450 x 450	546 x 546	59,5	B125	25,5	403899	403888
500 x 500	596 x 596	59,5	B125	28,5	403900	403889
600 x 600	696 x 696	59,5	B125	35,5	403902	403891
600 x 800	696 x 896	59,5	B125	50,2	403904	403893
600 x 1000	696 x 1096	59,5	B125	57,9	403906	403895
635 x 635	731 x 731	59,5	B125	45,6	403903	403892
800 x 800	896 x 896	59,5	B125	64,5	403905	403894
800 x 1000	896 x 1096	59,5	B125	73,7	403907	403896
1000 x 1000	1096 x 1096	59,5	B125	84,6	403908	403897

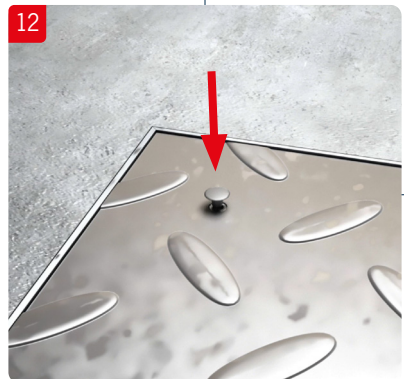
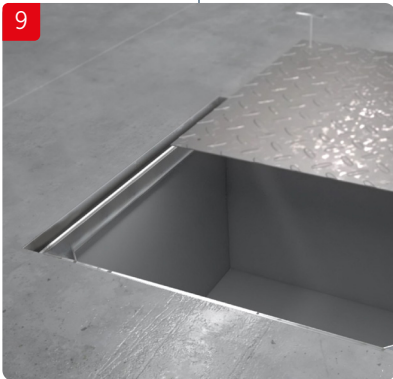
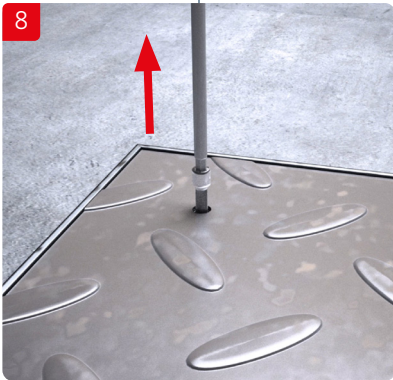
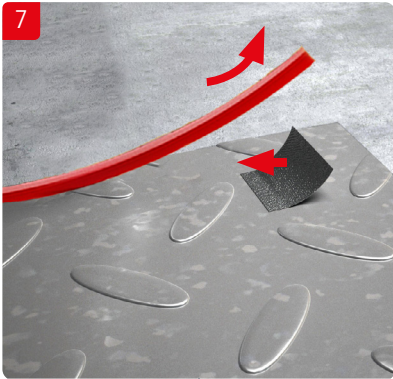
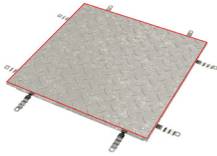
ACO Access Covers SOLID AL

Order information

Clear opening (A x B)	External dimensions (C x D)	Frame height	Load class (EN 124)	Weight	Part No.
[mm]	[mm]	[mm]		[kg]	
200 x 200	278 x 278	37,5	K3	2,75	415200
300 x 300	378 x 378	37,5	K3	4,01	415201
400 x 400	478 x 478	37,5	K3	5,54	415202
500 x 500	578 x 578	37,5	K3	7,65	415203
600 x 600	678 x 678	37,5	K3	9,75	415204
200 x 200	278 x 278	37,5	A15	3,05	408981
300 x 300	378 x 378	37,5	A15	4,45	408982
400 x 400	478 x 478	37,5	A15	6,15	408983
400 x 600	478 x 678	37,5	A15	8,2	408986
450 x 450	528 x 528	37,5	A15	7,05	408984
500 x 500	578 x 578	37,5	A15	8,35	408985
600 x 600	678 x 678	37,5	A15	11,05	408987
600 x 800	678 x 878	37,5	A15	13,7	408989
600 x 1000	678 x 1078	37,5	A15	15,9	408992
700 x 700	778 x 778	37,5	A15	13,6	408988
800 x 800	878 x 878	37,5	A15	17	408990
800 x 1000	878 x 1078	37,5	A15	19,75	408993
900 x 900	978 x 978	37,5	A15	20,15	408991
1000 x 1000	1078 x 1078	37,5	A15	24,65	408994









ACO. we care for water



Every ACO product supports
the ACO WaterCycle



-
- ACO Access Covers UNIFACE
 - ACO Access Covers PAVING
 - ACO Access Covers SOLID
-



ACO Industries k.s.

Havlickova 260
582 22 Pribyslav
Czech Republic

www.aco-accesscovers.com

NM12381 ACO Access Covers SOLID Manual/EN/IQ3/23