

ACO Product Catalogue

ACO Access Cover

Servokat Smart

ACO Access Cover Servokat Smart D400

Product information

- Type tested and certified according to EN 124:2015
- Meets declared load class up to D400
- Opening assistance contributed by mechanical torsion springs
- Easy lock and simple hinges not interfering the clear opening
- Cushioning inserts reducing noise from traffic
- Equipped with a seal designed to avoid water collection between the cover's frame and lid
- Corrosion resistant – hot dip galvanized mild steel / pickled passivated stainless steel
- Secure and time saving installation – no frame work application for installation
- Very shallow installation height – ONLY 80 mm

- ACO Access Cover Servokat SMART is the best solution when cover has to be frequently opened and closed in order to inspect or maintain shaft's area of cover underneath.
- ACO Access Cover Servokat SMART is equipped by opening assistance technology allows easy and convenient opening by one person.
- All cover's parts are not interfering clear opening in order to bring as safe and easy cover usage as possible
- ACO Access Cover Servokat SMART is fully certified according to EN 124:2015 load class D400
- Ideal solution for application requiring a shallow installation while maintaining safety, functionality and very high load resistance

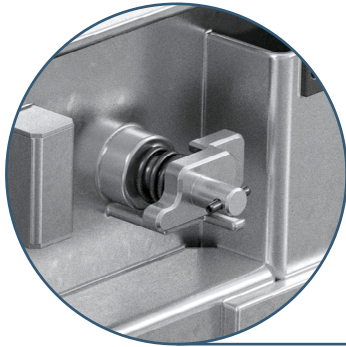
GS - hot dip galvanized mild steel (1.0037)

SS - pickle passivated stainless steel (1.4301)

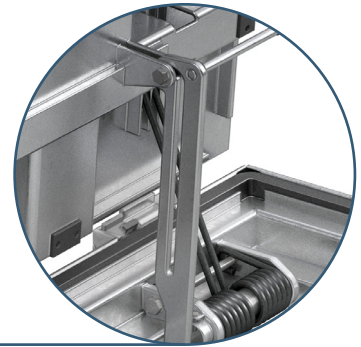
Order information

Clear opening (A x B)	External dimensions (C x D)	Frame height [mm]	Load class (EN124)	Weight [kg]	Part No.	Part No.
					GS (1.0037)	SS (1.4301)
1000 x 1000	1241 x 1206	80	D400	206	448138	448137
900 x 900	1141 x 1106	80	D400	180	448140	448139
800 x 800	1041 x 1006	80	D400	147	448142	448141
700 x 700	941 x 906	80	D400	124	448144	448143
600 x 600	841 x 806	80	D400	99	448146	448145
600 x 800	841 x 1006	80	D400	122	448148	448147
600 x 900	841 x 1106	80	D400	135	448150	448149
800 x 1000	1041 x 1206	80	D400	173	448152	448151
1000 x 1500	1241 x 1706	80	D400	280	448154	448153
900 x 1200	1141 x 1406	80	D400	220	448156	448155
1000 x 1200	1241 x 1406	80	D400	234	449664	449663

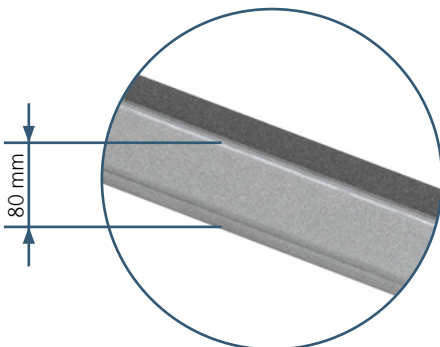
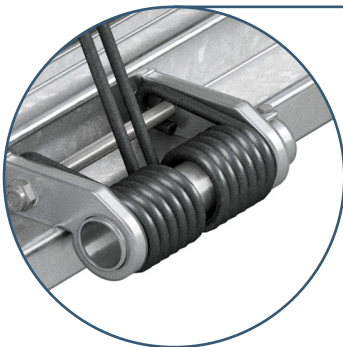
- Easy, fast and flawless lock system does not interfere clear opening
- Equipped with a seal designed to avoid water collection between the cover's frame and lid
- Lifting key to open/close from above



- Lid is automatically locked in place by safety cathe when opened
- Easy to release by hand or leg



- Torsion spring opening assistance



- Functional design in order to avoid water collection between frame and lid
- Shallow installation height – 80 mm only



- Cushioning inserts in order to eliminate potential noise from traffic while driven over

ACO products support the ACO System Chain



-
- ACO Access Covers UNIFACE
 - ACO Access Covers PAVING
 - ACO Access Covers SOLID
 - ACO Access Covers SERVOKAT
-

ACO Industries k.s.

Havlickova 260
582 22 Pribyslav
Czech Republic

www.aco-accesscovers.com

All reasonable care has been taken in compiling the information in this document. All recommendations and suggestions on the use of ACO products are made without guarantee since the conditions of use are beyond the control of the Company. It is the customer's responsibility to ensure that each product is fit for its intended purpose and that the actual conditions of use are suitable. This brochure and any advice is provided free of charge and accordingly on terms that no liability (including liability for negligence) will attach the Company or its servants or agents arising out of or in connection with or in relation to this brochure or any such advice. Any goods supplied by the Company will be supplied solely upon its standard conditions of sale, copies of which are available on request. The Company's policy of continuous product development and improvement renders specifications liable to modification. Information provided in this brochure is therefore subject to change without prior notification.